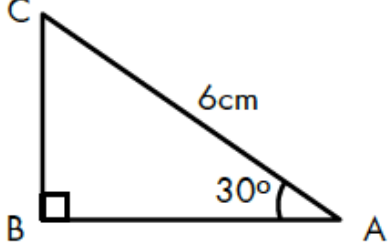
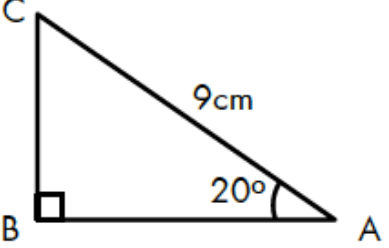
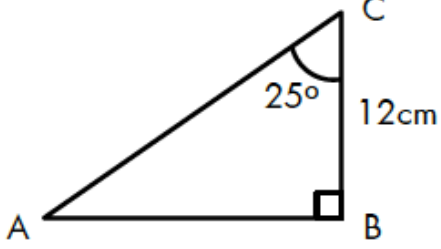
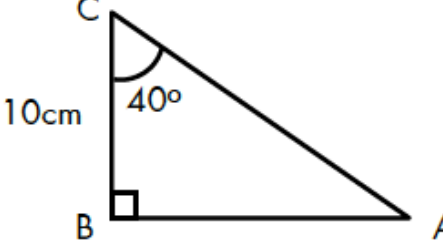
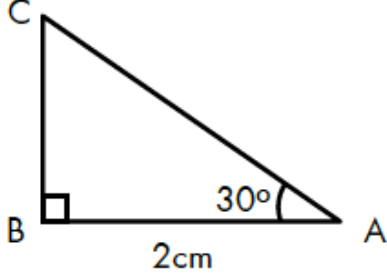
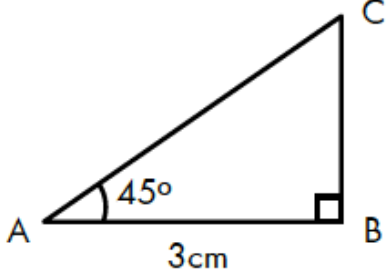
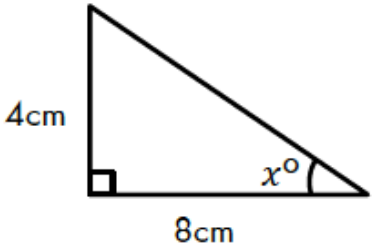
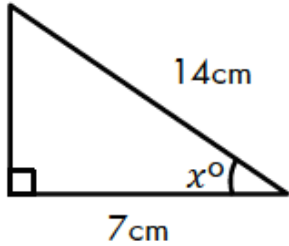
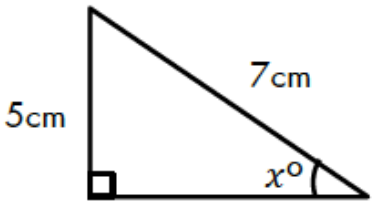


Trigonometry Homework Worksheet

Find the missing lengths of the sides on each of the triangles, without using Pythagoras.
Note: Triangles are not to scale.

1. 	2. 
3. 	4. 
5. 	6. 

Find angle x .

1. 	2. 
3. 	4. 